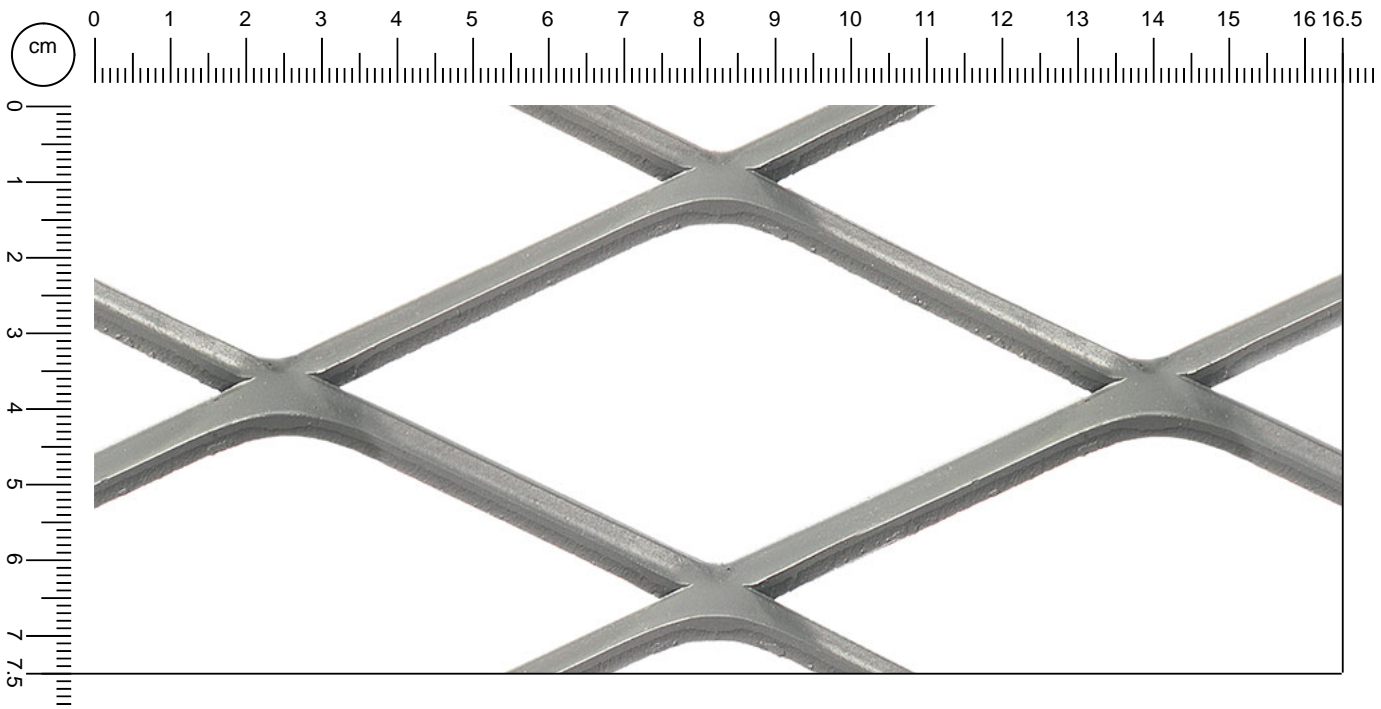


# 74

## Diamond Metal Meshes



**Product data:**  
115 x 55 (55) - 4,0 x sp

Material	Name	sp mm	Weight kg/m <sup>2</sup>	Sheet On demand
Carbon steel	R 115 x 55 (55) - 4 x 3	3.0	3.4	✔